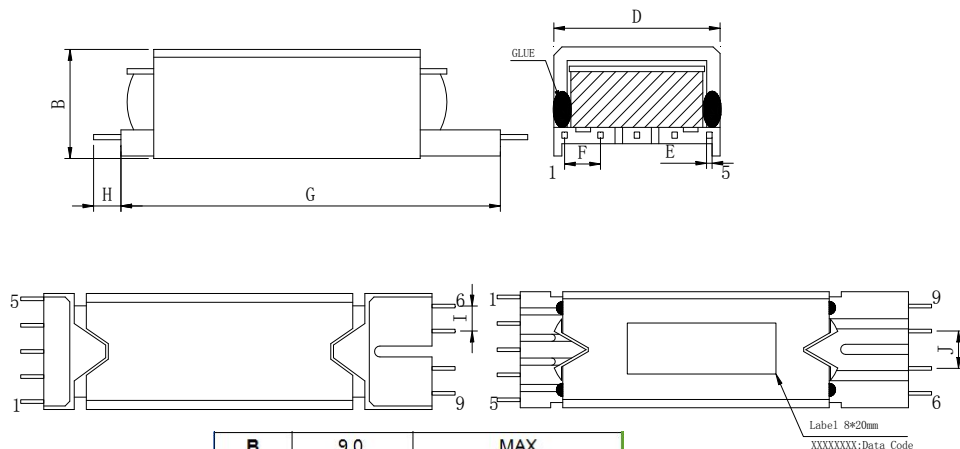


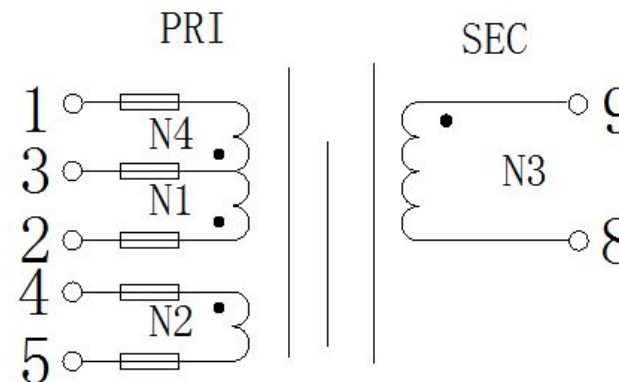
CUSTOMER TERMINAL	ROHS	Lead(Pb)-free
	YES	YES

1. Mechanical Dimensions



B	9.0	MAX
D	14.5	MAX
E	0.4*0.6	±0.1
F	2.7	±0.2
G	50.0	±0.4
H	3.0	±0.5
I	3.4	±0.2
J	4.0	±0.2

2. Schematic Diagram



3. Material List

Core:DMR44 EEW13.5A

Bobbin:PD1306(4+5PIN)

Wire:2UEW TIW

Operating Temperature: -30 to115 °C

4. Electrical Specification

Inductance: L(1-2):1.2mH ±5% 60KHZ 、 1V

Leakage Inductance : 40uH MAX 60KHZ 、 1V

DCR:(1-2)=2.8Ω Max (9-8)=0.8Ω Max

Hi-Pot:P-S: AC 60Hz 4000V 1.0mA 3S

S-CORE:AC 60Hz 4000V 1.0mA 3S

REV.	DATE	<p>Convention Placement</p>	DRW.		Drawing Title:	Part No:
0	00/00		CHK.			
ROHS			www.ferriwo.com	APP.		Customer P/N